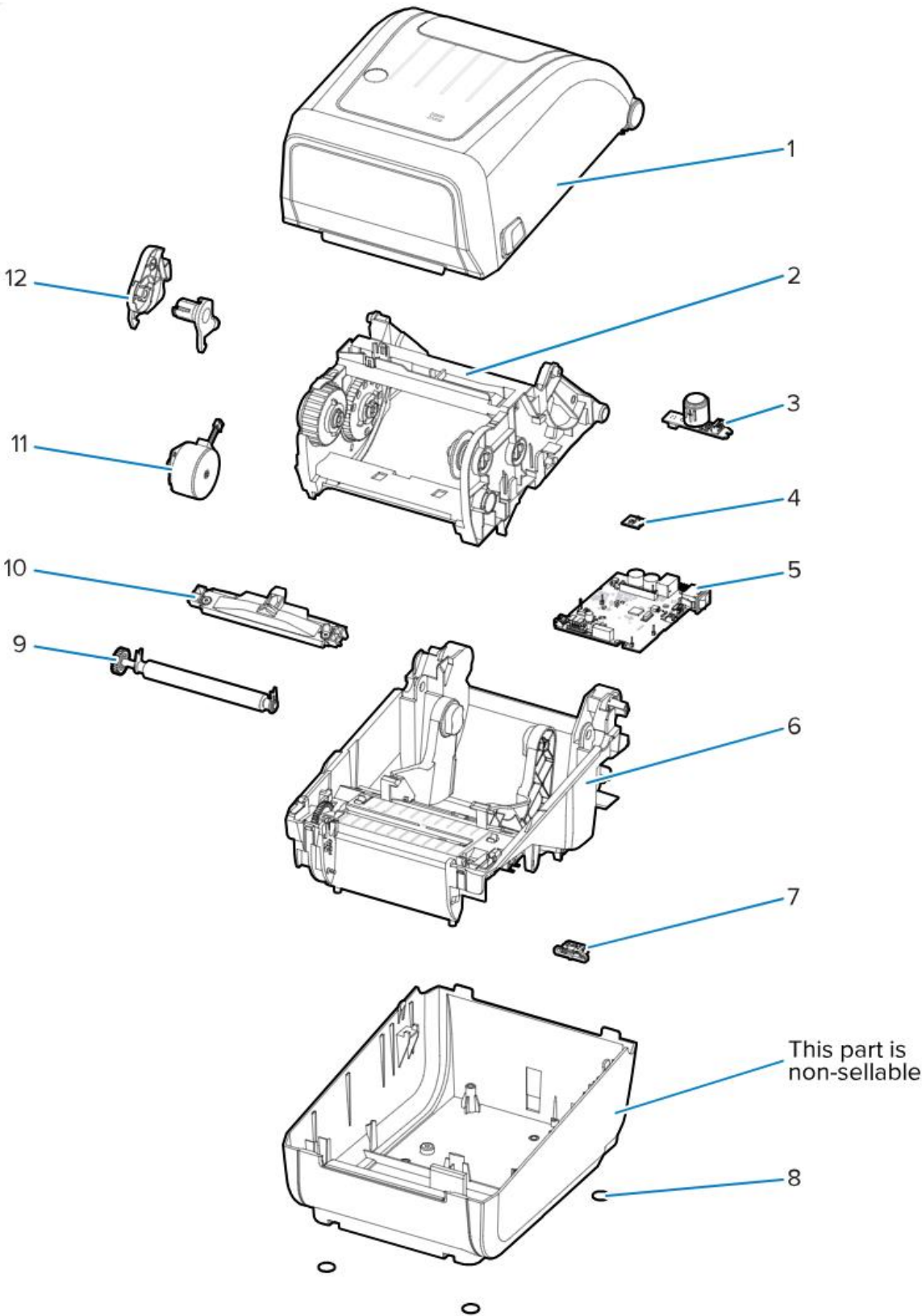


ZD888TA Thermal Transfer



ZD888TA Thermal Transfer

Item #	Description	Kit Number
1	Kit, Cover Assembly for Gray Colored Models, ZD888TA	P1131622-001
	Kit, Cover Assembly for White Colored Models, ZD888TA	P1131622-002
2	Kit, Ribbon Carriage for 203 DPI Printer without Printhead, ZD888TA	P1131622-005
	Kit, Ribbon Carriage for 300 DPI Printer without Printhead, ZD888TA	P1131622-006
3	Kit, Feed Switch (includes PCBA, and feed button) ZD888TA	P1131622-004
4	Kit, Upper Media Sensor, Gap Sensor, ZD888TA	P1131622-007
5	Kit, Main Logic Board, (USB only), China only, ZD888TA, 200dpi only	P1131622-011
	Kit, Main Logic Board, (USB only), China only, ZD888TA, 300dpi only	P1131622-028
6	Kit, Lower Frame Assembly 203 DPI, ZD888TA	P1131622-008
	Kit, Lower Frame Assembly 300 DPI, ZD888TA	P1131622-009
7	Kit, Lower Media Sensor, Moveable, (Black Line) ZD888TA	P1131622-010
8	Rubber Feet (set of 4)	P1080383-021
9	Kit, Platen Roller Assembly 203 DPI, ZD888TA	P1131622-012
	Kit, Platen Roller Assembly 300 DPI, ZD888TA	P1131622-013
	Kit, Platen Roller Bearings (Qty 10), ZD888TA	P1131622-014
10	Kit, 203 DPI Printhead, ZD888TA	P1131622-016
	Kit, 300 DPI Printhead, ZD888TA	P1131622-017
11	Kit, Motor Assembly, ZD888TA	P1131622-015
12	Kit, Latch Assembly, ZD888TA	P1131622-003
Not shown	Kit, Shipping Box, ZD888TA	P1131622-018
	Kit, Ribbon Core Adapters for 1-inch diameter ribbon cores (1 Set), ZD888TA	P1131622-022
	Kit, Power Supply, 50W, China Only (Power Cord is not included), ZD888TA	P1131622-024